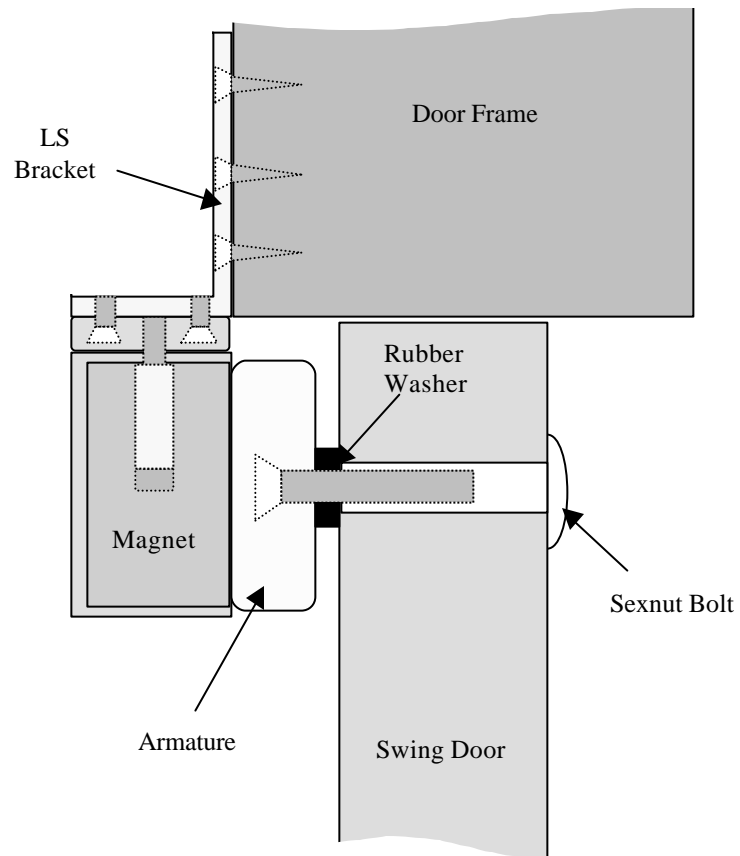
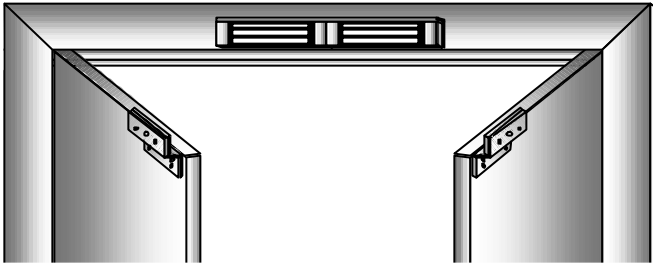


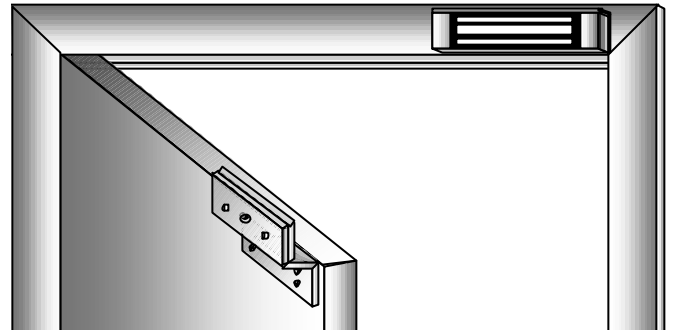
MOUNTING ON SWING DOOR WITH STANDARD ACCESSORIES



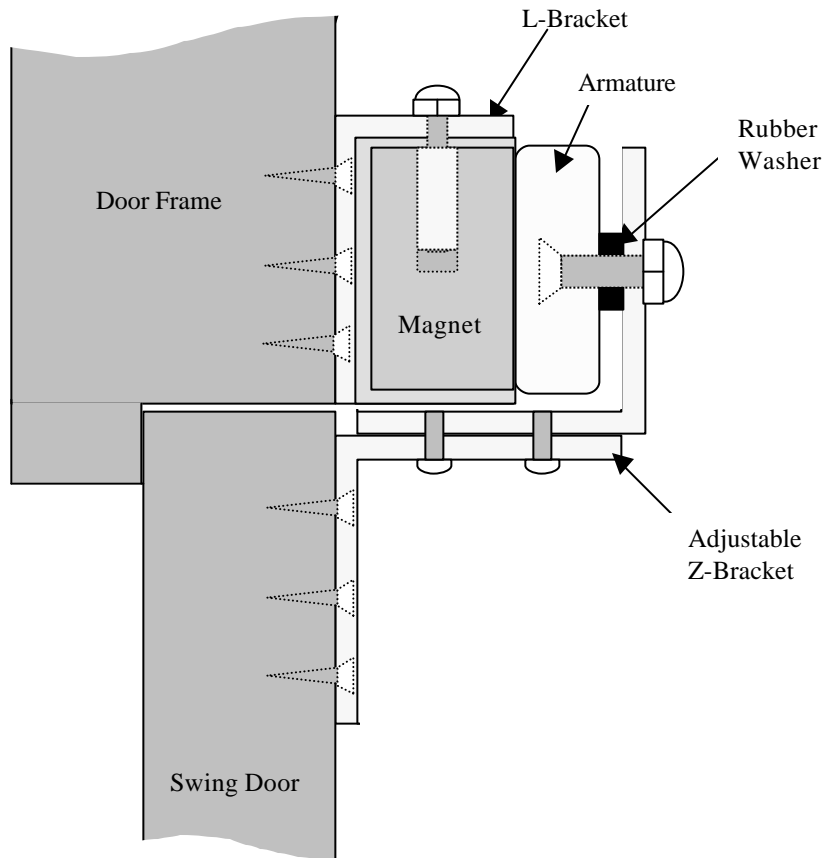
MOUNTING ON SWING DOOR WITH LS BRACKET WHERE THE HEADER IS TOO NARROW



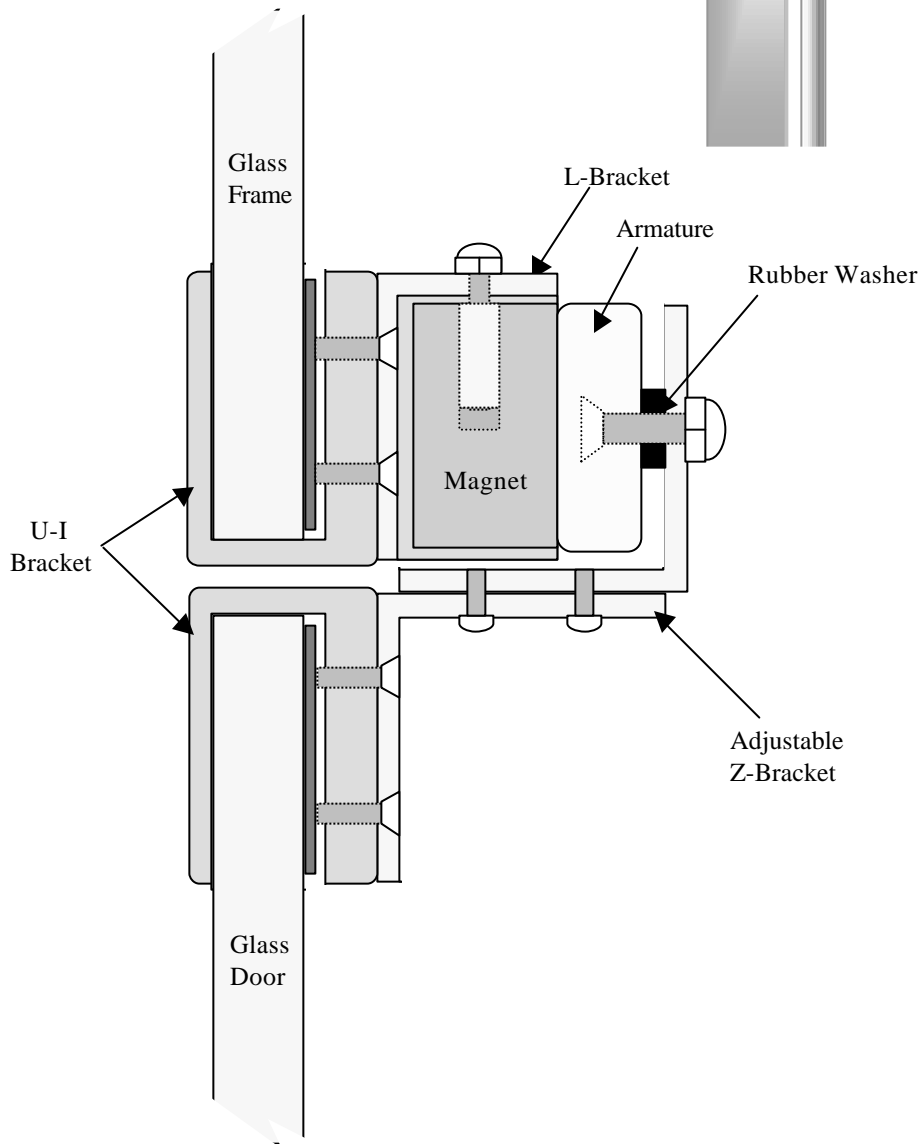
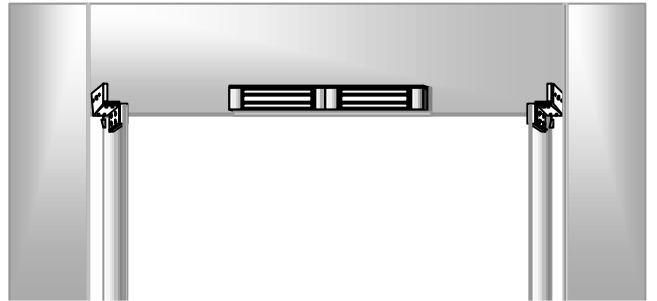
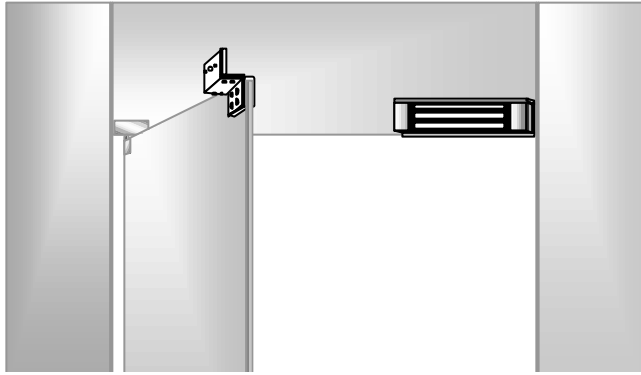
DOUBLE INSWING DOORS



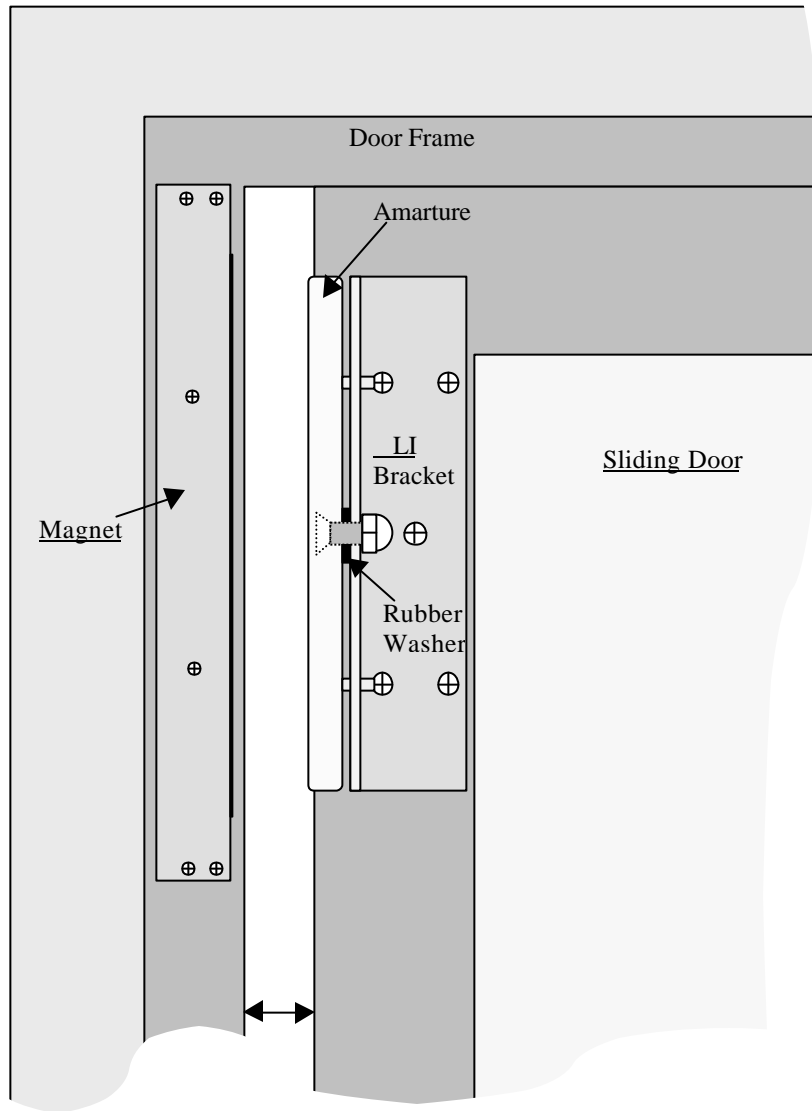
SINGLE INSWING DOOR



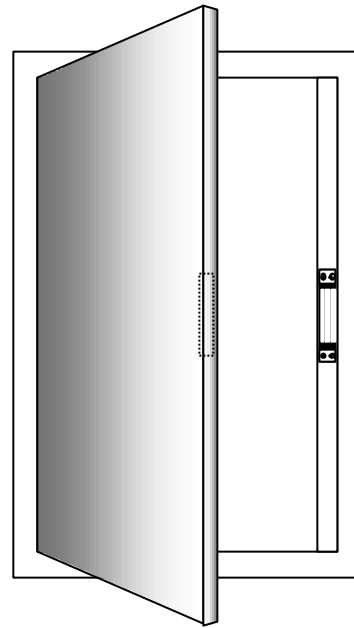
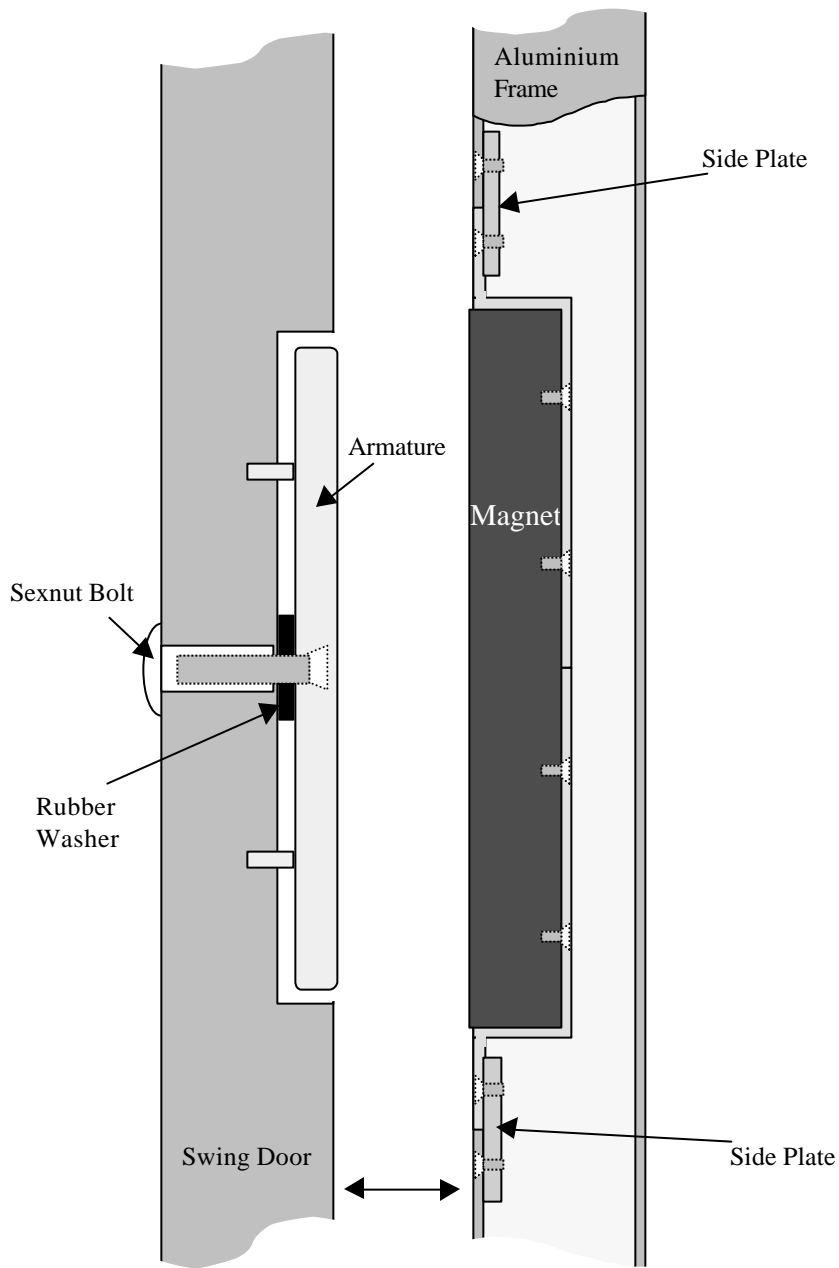
MOUNTING ON INSWING DOOR WITH ZL BRACKET



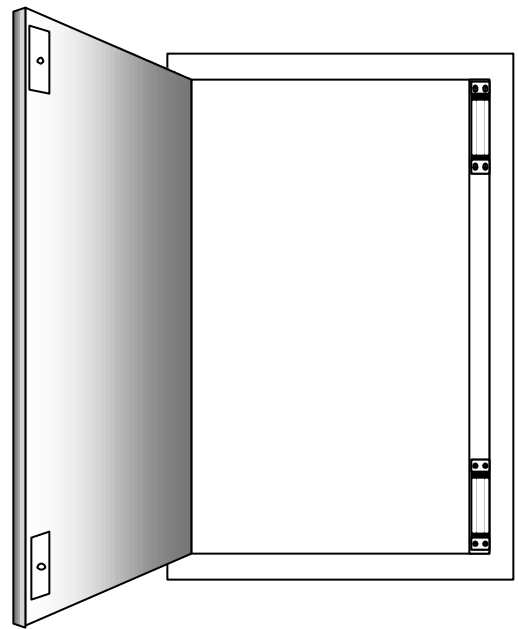
**MOUNTING ON GLASS DOOR WITH GLASS FRAME WITH
2 X U1 AND 1 X ZL BRACKETS.**



MOUNTING ON SLIDING DOOR WITH L1 BRACKET



Outswing Mortice Lock



Outswing Dual Mortice Lock

**STANDARD MOUNTING ON SWING DOOR USING
MORTICE LOCK**