



**For Security
Zoom**

Applicable camera (model)

H16×10B-Y41

1 2/3 1/2 1/3 1/4

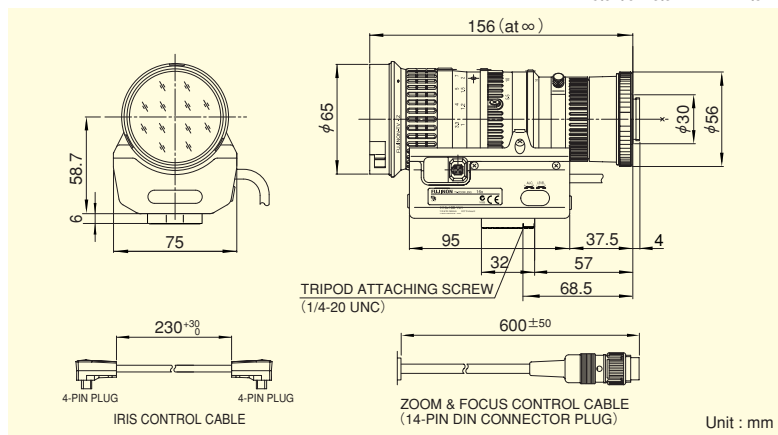
16×



*Photograph is a similar model.

- High-power zoom lens covering wide angle and telephoto.
- Multi power compatibility (6V, ±6V, 12V, ±12V), for use with existing control systems.
- Built-in potentiometer, supporting the preset-enabled specification.
- Built-in ND filter of T800, supporting high sensitivity cameras.

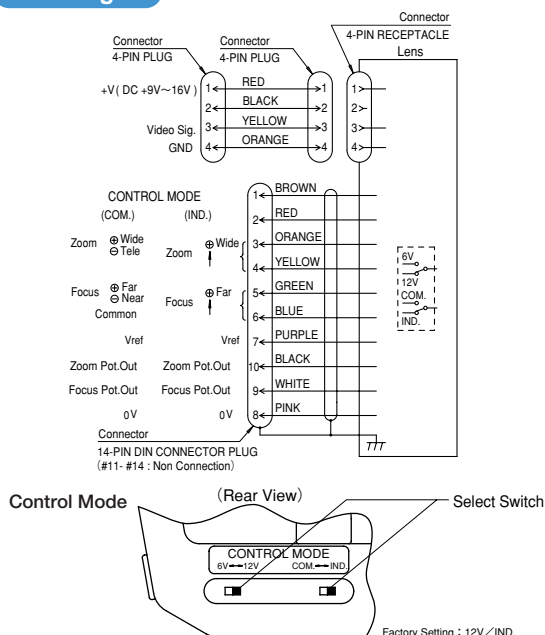
ZOOM Zoom	WIDE Wide Angle	TELE Telephoto Long Focal	MOTOR DRIVE Motor Drive	VIDEO Video Auto Iris	C-mt C Mount	METAL Metal Mount
PRESET Potentiometer					N D ND Filter	



Unit : mm

Focal Length (mm)		10~160 (16×)	
Iris Range		F2.5 ~ T800 (Equivalent to F800)	
Operation	Zoom	Motor Drive	
	Focus	Motor Drive	
	Iris	Auto (Video Type)	
Angle Of View (H×V)	2/3"	WIDE	47°30' × 36°32'
		TELE	3°09' × 2°22'
	1/2"	WIDE	35°29' × 26°59'
		TELE	2°17' × 1°43'
	1/3"	WIDE	26°59' × 20°24'
		TELE	1°43' × 1°17'
Focusing Range (From Front Of The Lens) (m)		∞ ~ 1	
Object Dimensions at M.O.D. (H×V) (mm)	2/3"	WIDE	862 × 620
		TELE	51 × 39
	1/2"	WIDE	627 × 470
		TELE	39 × 29
	1/3"	WIDE	470 × 353
		TELE	29 × 22
Back Focal Distance (in air) (mm)		14.77	
Exit Pupil Position (From Image Plane) (mm)		186	
Filter Thread (mm)		M62 × 0.75	
Mount		C	
Mass (g)		900	
Standard Accessories		Iris Control Cable	
Remarks		• With Metal Mount	

Wiring



Controller output	Select switch position
6V	6V / IND.
±6V	6V / COM.
12V	12V / IND.
±12V	12V / COM.

Accessories

Extender

Model	Magnification
HE15-1	1.5×
HE20-1	2×

ZOOM LENSES