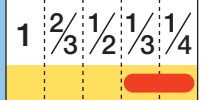




For Security
Vari-Focal

Applicable camera (model)

YV2.7×2.9LR4D-2



2.7×



VARI
Vari-Focal

WIDE
Wide Angle

Day~Night
Day & Night

MANUAL
Manual Iris

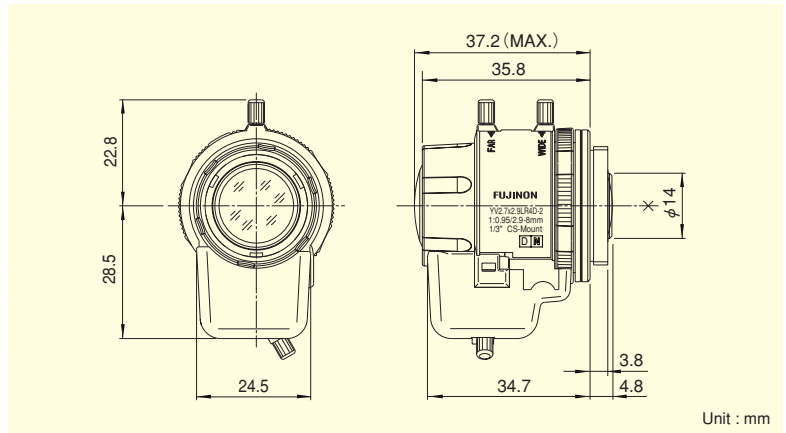
CS-mt
CS Mount

METAL
Metal Mount

AT
Aspherical Lens

F0.95
Wide Aperture Rate

- Advanced design engineering and special optic glass adopted, best suited for color, Black and White and Day and Night cameras.
- Unparalleled brightness at the maximum aperture of F0.95, optimizing the performance at low lighting intensity.
- Super wide angle spec, WIDE2.9mm, achieving the horizontal field angle of 94 degrees (when used on 1/3 cameras).
- Compact and lightweight design, best suited for the use with dome cameras.
- High accuracy aspheric lens adopted, achieving the high quality image.



Unit : mm

VARI-FOCAL LENSES

Focal Length (mm)		2.9~8 (2.7×)	
Iris Range		F0.95 ~ Close	
Operation	Zoom	Manual	
	Focus	Manual	
	Iris	Manual	
Angle Of View (H×V)	1/3"	WIDE	94°37' × 69°30'
		TELE	35°18' × 26°26'
	1/4"	WIDE	69°30' × 51°33'
		TELE	26°26' × 19°48'
Focusing Range (From Front Of The Lens) (m)		∞ ~ 0.3	
Object Dimensions at M.O.D. (H×V) (mm)	1/3"	WIDE	670 × 428
		TELE	196 × 145
	1/4"	WIDE	428 × 298
		TELE	145 × 108
Back Focal Distance (in air) (mm)		7.72	
Exit Pupil Position (From Image Plane) (mm)		74	
Filter Thread (mm)		—	
Mount		CS	
Mass (g)		35	
Remarks		•With Metal Mount	