



**For Security
Vari-Focal**

Applicable camera (model)

YV10×5R4A-SA2

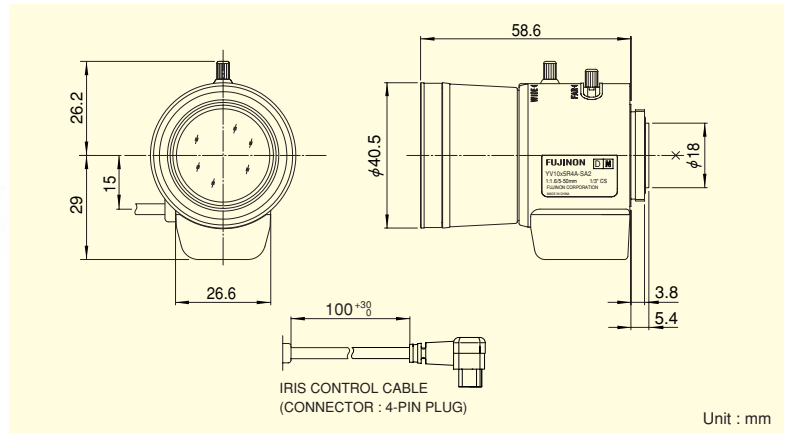
1	2/3	1/2	1/3	1/4
---	-----	-----	-----	-----

10×



VARI Vari-Focal	WIDE Wide Angle	TELE Telephoto Long Focal	Day~ Night Day & Night	DC DC Auto Iris	CS-mt CS Mount	METAL Metal Mount
ND ND Filter	230 Long Cable	AT Aspherical Lens	F1.6 Wide Aperture Rate			

- Advanced design engineering and special optic glass adopted, best suited for color, Black and White and Day and Night cameras.
- Wide range of f5-50mm, supporting various applications.
- Wide aperture of F1.6, optimizing the performance at low lighting intensity.
- High accuracy aspheric lens adopted, achieving the high quality image.
- Built-in ND filter of T360, supporting high sensitivity cameras.



VARI-FOCAL LENSES

Focal Length (mm)		5~50 (10×)	
Iris Range		F1.6 ~ T360 (Equivalent to F360)	
Operation	Zoom	Manual	
	Focus	Manual	
	Iris	Auto (DC Type) (*1)	
Angle Of View (H×V)	1/3"	WIDE	51°17' × 39°36'
		TELE	5°30' × 4°07'
	1/4"	WIDE	39°36' × 30°13'
		TELE	4°07' × 3°06'
Focusing Range (From Front Of The Lens) (m)		∞ ~ 0.3	
Object Dimensions at M.O.D. (H×V) (mm)	1/3"	WIDE	304 × 228
		TELE	54 × 41
	1/4"	WIDE	228 × 171
		TELE	41 × 31
Back Focal Distance (in air) (mm)		7.52	
Exit Pupil Position (From Image Plane) (mm)		-43	
Filter Thread (mm)		—	
Mount		CS	
Mass (g)		85	
Coil Resistance		Drive Coil	190Ω
		Damping Coil	500Ω
Current Consumption		23mA (Max.) at DC 4V	
Remarks		<ul style="list-style-type: none"> • With Metal Mount (*1) When power is turned off, iris will automatically be closed. YV10×5R4A-SA2L : Long Cable Type (230mm)	

