



For FA/Machine Vision
3CCD Camera

T16×5.5DB-S41

Applicable camera (model)

1 2/3 1/2 1/3 1/4

16×



*Photograph is a similar model.

- Special design for optimizing the image quality of 3CCD cameras.
- Multi power compatibility (6V, ±6V, 12V, ±12V), for use with existing control systems.
- High-power zoom lens covering wide angle and telephoto.

ZOOM

Zoom

WIDE

Wide Angle

TELE

Telephoto Long Focal

MOTOR DRIVE

Motor Drive

3CCD

For 3CCD Camera

VIDEO

Video Auto Iris

C-mt

C Mount

METAL

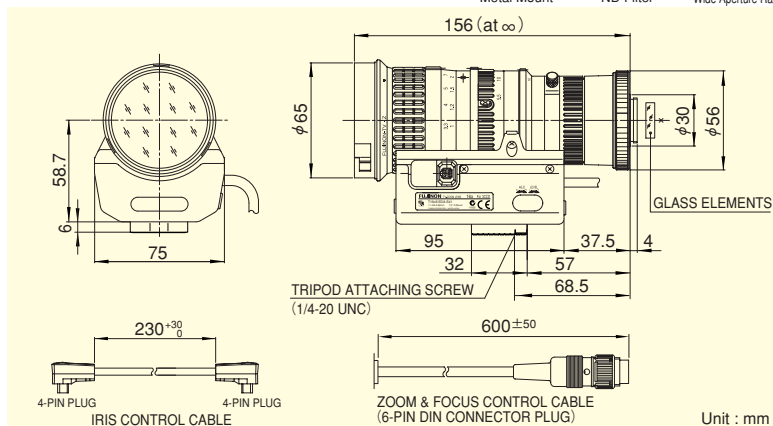
Metal Mount

ND

ND Filter

F1.4

Wide Aperture Rate



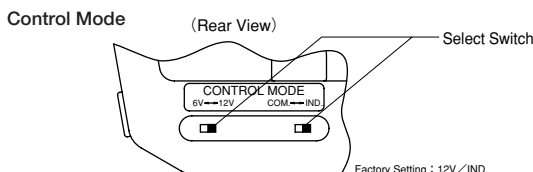
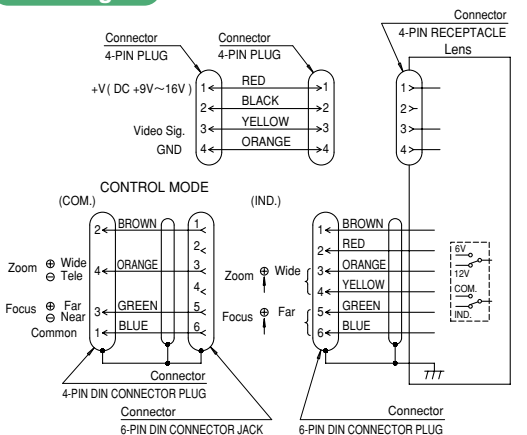
Unit : mm

Focal Length (mm)		5.5~88 (16×)	
Iris Range		F1.4 ~ T400 (Equivalent to F400)	
Operation	Zoom	Motor Drive	
	Focus	Motor Drive	
	Iris	Auto (Video Type)	
Angle Of View (H×V)	1/3"	WIDE	47°09' × 36°15'
		TELE	3°07' × 2°21'
Focusing Range (From Front Of The Lens) (m)		∞ ~ 1	
Object Dimensions at M.O.D. (H×V) (mm)	1/3"	WIDE	819 × 614
		TELE	51 × 38
Back Focal Distance (in air) (mm)		14.83	
Exit Pupil Position (From Image Plane) (mm)		251	
Filter Thread (mm)		M62 × 0.75	
Mount		C	
Mass (g)		900	

Standard Accessories	Iris Control Cable Conversion Cable (6-pin→4-pin) Connection Connector (4-pin, 6-pin)
----------------------	---

Remarks • With Metal Mount

Wiring



Controller output	Select switch position	Conversion cable (Standard accessory)
6V	6V/IND.	Not necessary
±6V	6V/COM.	Necessary
12V	12V/IND.	Not necessary
±12V	12V/COM.	Necessary

Accessories

Control Unit

Model	CRD-2A	CRD-2B
Operation	Zoom, Focus	
Power Source	AC 100V/120V/220V/240V 50/60Hz	

AC Power Cord

Japan	PCA-1
U.S.A./Canada	PCA-2
Continental Europe	PCA-3
Australia	PCA-4
Without AC Plug	PCA-5

Extension Cable

CRD-2A	CEC-AA102-11 (10m)
	CEC-AA202-11 (20m)
CRD-2B	CEC-AB102-11 (10m)
	CEC-AB202-11 (20m)